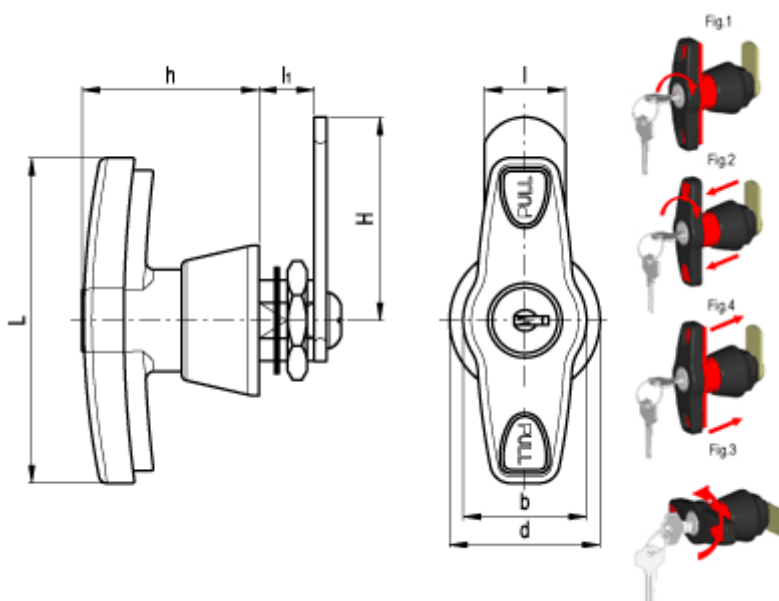


Article number: 2310421527
Description: E+G anti-rotation lock
CSMTU-A-50

Measures



$b = 30$
 $d = 37$
 $g = 130$
 $h = 43$
 $H = 50$
 $l = 20$
 $L = 80$
 $l1 = 13.5$

Type = CSMTU-A-50